

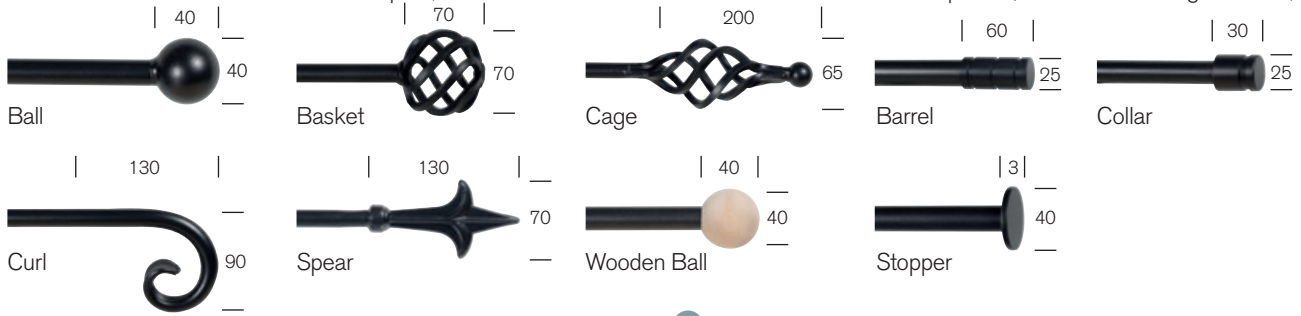
CURTAIN POLES – TECHNICAL DETAILS



19MM METAL POLES

All dimensions in millimetres unless otherwise stated

FINIALS Finial slides into main pole, hence curl and ball finial can be made shorter if required (Ball minimum length 50mm).

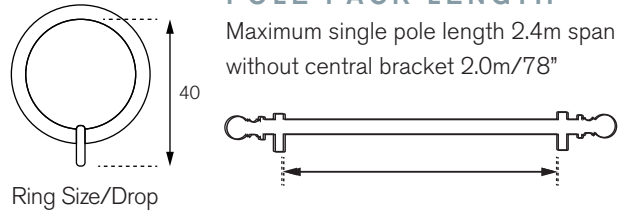


POLE PACKS

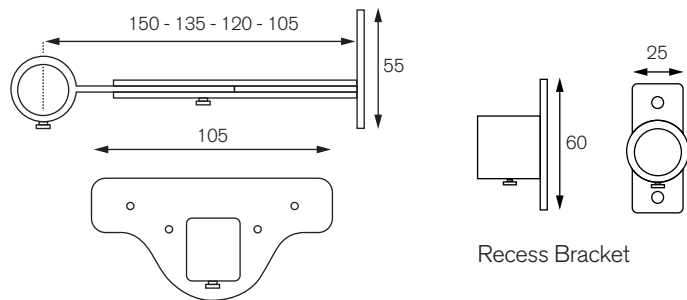
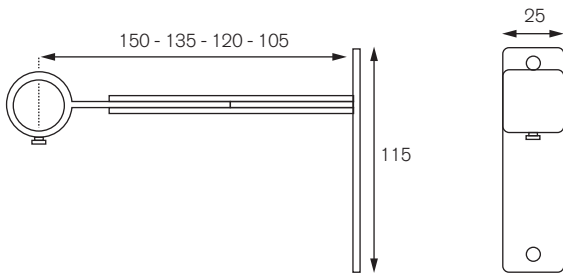
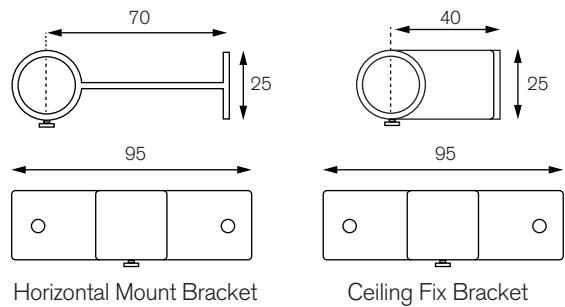
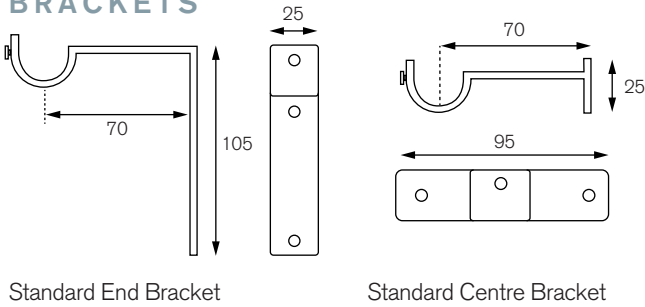
- 1.5m/59" Pole Pack (2 brackets, 2 finials, pole, 16 rings, screws)
- 2.0m/78" Pole Pack (2 brackets, 2 finials, pole, 20 rings, screws)
- 2.4m/94" Pole Pack (3 brackets, 2 finials, pole, 24 rings, screws)
- 3.0m/118" Pole Pack (3 brackets, 2 finials, 2 poles, 30 rings, screws)
- 4.0m/157" Pole Pack (3 brackets, 2 finials, 2 poles, 40 rings, screws)

POLE PACK LENGTH

Maximum single pole length 2.4m span without central bracket 2.0m/78"

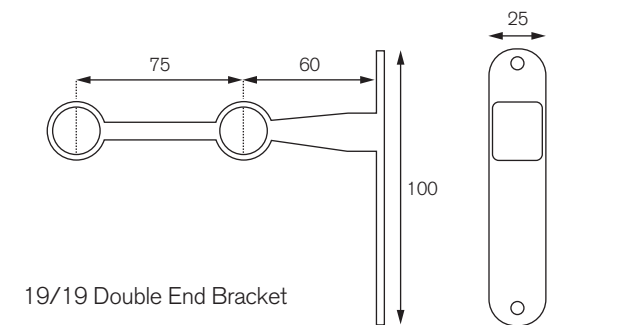


BRACKETS



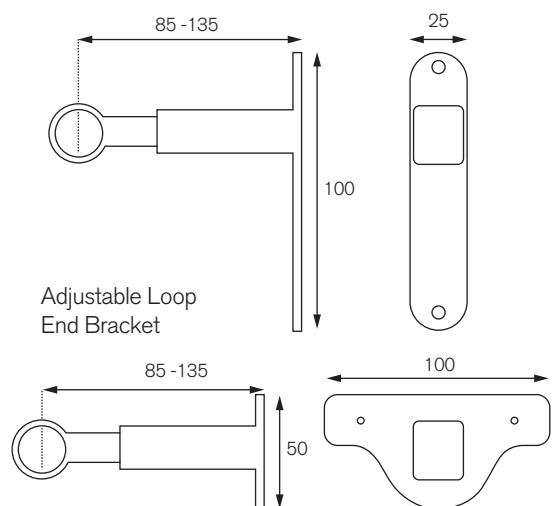
Extension End Bracket

Extension Centre Bracket



19/19 Double End Bracket

19/19 Double Centre Bracket



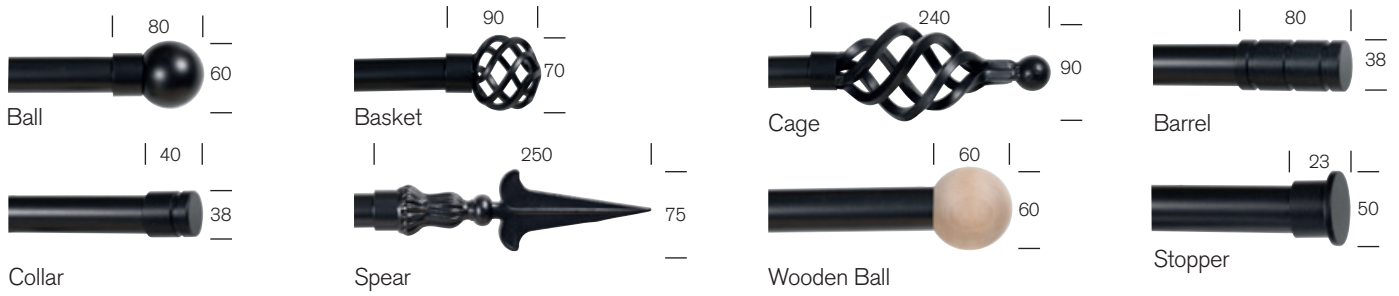
Adjustable Loop End Bracket

Adjustable Loop Centre Bracket

32MM METAL POLES

All dimensions in millimetres unless otherwise stated

FINIALS

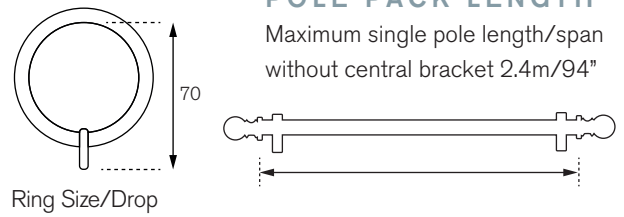


POLE PACKS

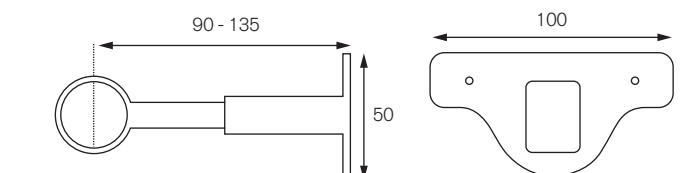
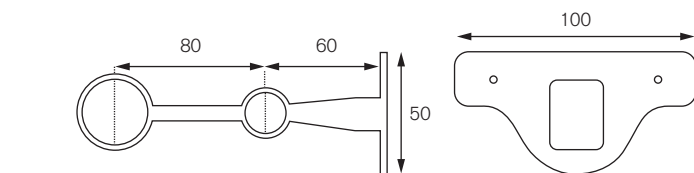
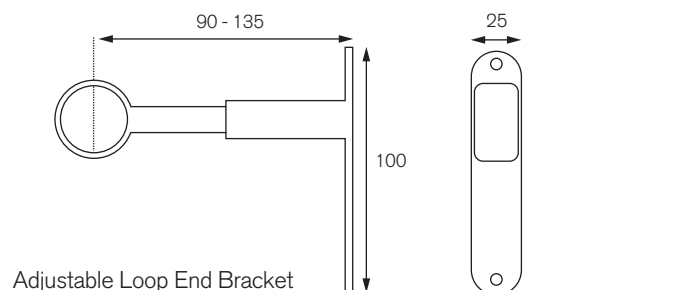
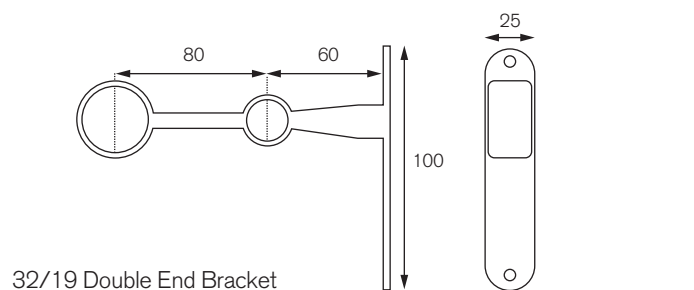
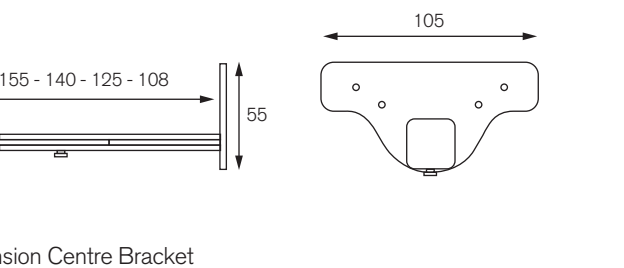
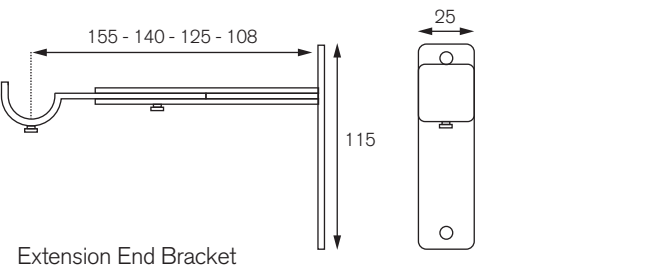
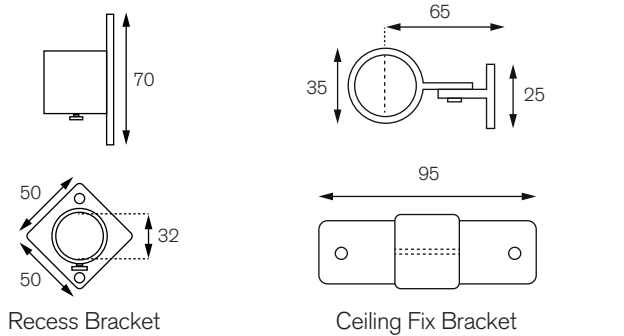
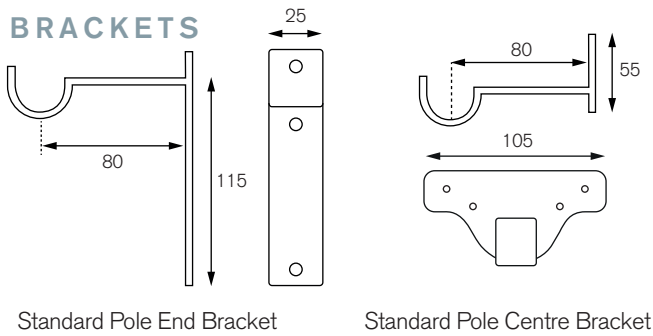
- 1.5m/59" Pole Pack (2 brackets, 2 finials, pole, 16 rings, screws)
- 2.0m/78" Pole Pack (2 brackets, 2 finials, pole, 20 rings, screws)
- 2.4m/94" Pole Pack (2 brackets, 2 finials, pole, 24 rings, screws)
- 3.0m/118" Pole Pack (3 brackets, 2 finials, 2 poles, 30 rings, screws)
- 4.0m/157" Pole Pack (3 brackets, 2 finials, 2 poles, 40 rings, screws)
- 4.8m/189" Pole Pack (3 brackets, 2 finials, 2 poles, 48 rings, screws)

POLE PACK LENGTH

Maximum single pole length/span without central bracket 2.4m/94"



BRACKETS



32/19 Double End Bracket

Adjustable Loop End Bracket

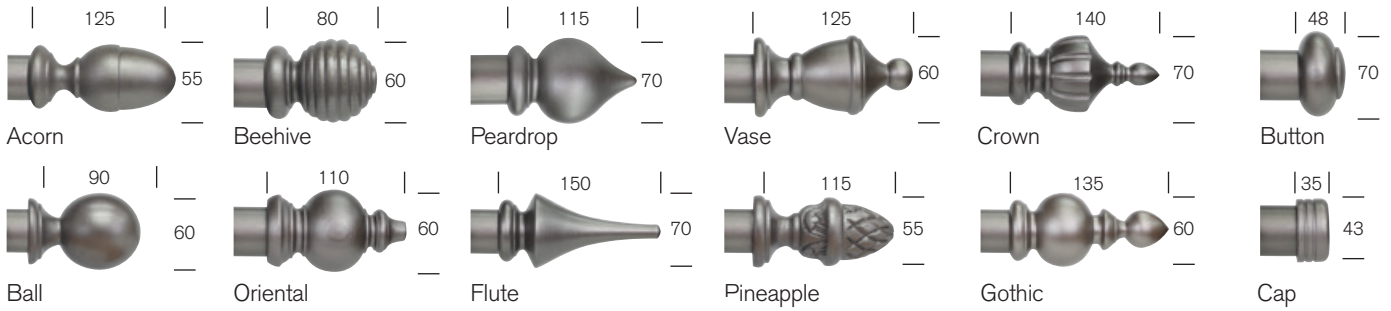
32/19 Double Centre Bracket

Adjustable Loop Centre Bracket

35MM WOODEN POLES

All dimensions in millimetres unless otherwise stated

FINIALS

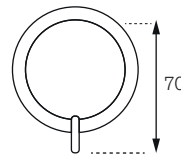


POLE PACKS

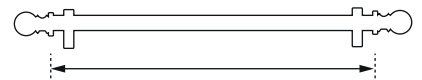
- 1.2m/47" pack (pole, 2 brackets, 2 finials, 12 rings, screws)
- 1.5m/59" pack (pole, 2 brackets, 2 finials, 16 rings, screws)
- 1.8m/71" pack (pole, 2 brackets, 2 finials, 18 rings, screws)
- 2.4m/94" pack (pole, 3 brackets, 2 finials, 24 rings, screws)
- 3.0m/118" pack (2 poles, 3 brackets, 2 finials, 30 rings, screws)
- 3.6m/142" pack (2 poles, 3 brackets, 2 finials, 36 rings, screws)

POLE PACK LENGTH

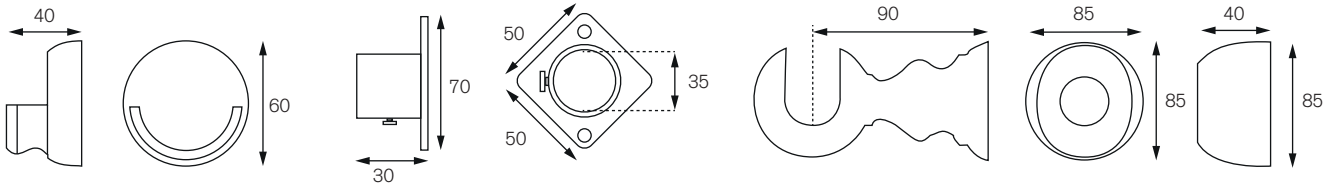
Maximum single pole length 2.4m span without central bracket 1.8m/71"



Ring Size/Drop



BRACKETS

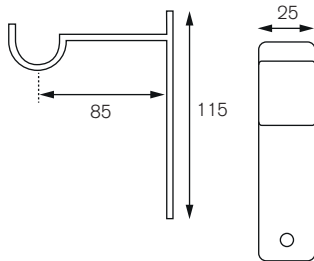


Woodern Recess Bracket

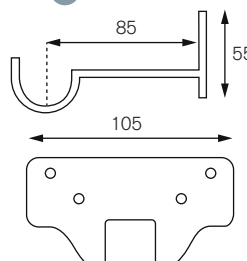
Metal Recess Bracket

Wooden Cup Bracket

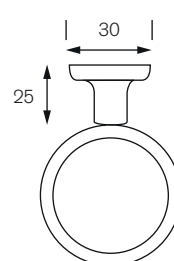
Wooden Extension Block



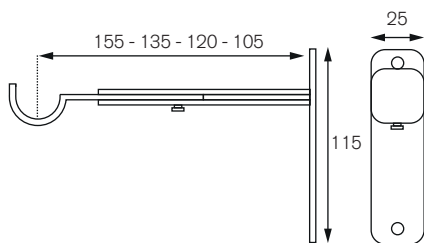
Standard Metal Pole End Bracket



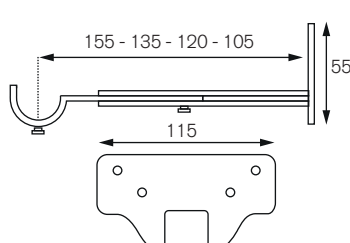
Standard Metal Pole Centre Bracket



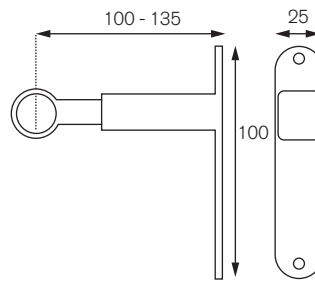
Metal Ceiling Fix Bracket



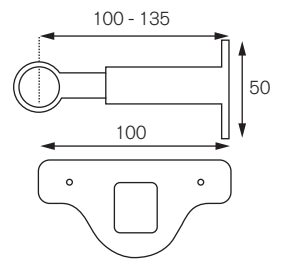
Extension End Bracket



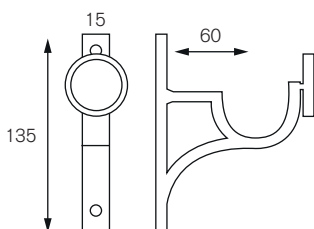
Extension Centre Bracket



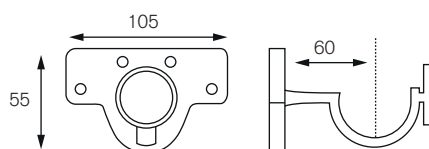
Adjustable Loop End Bracket



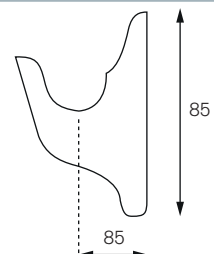
Adjustable Loop Centre Bracket



Chrome/Brass End Bracket



Chrome/Brass Centre Bracket

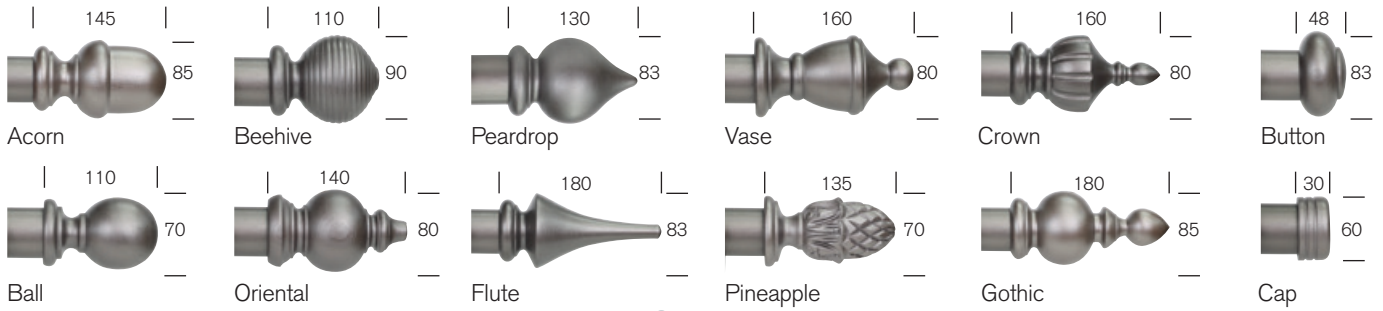


Flat Wooden Bracket

50MM WOODEN POLES

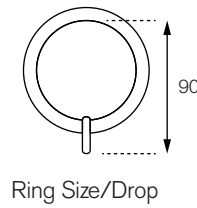
All dimensions in millimetres unless otherwise stated

FINIALS

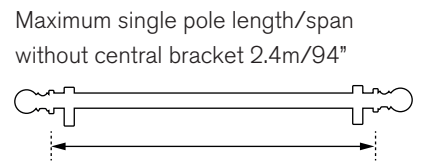


POLE PACKS

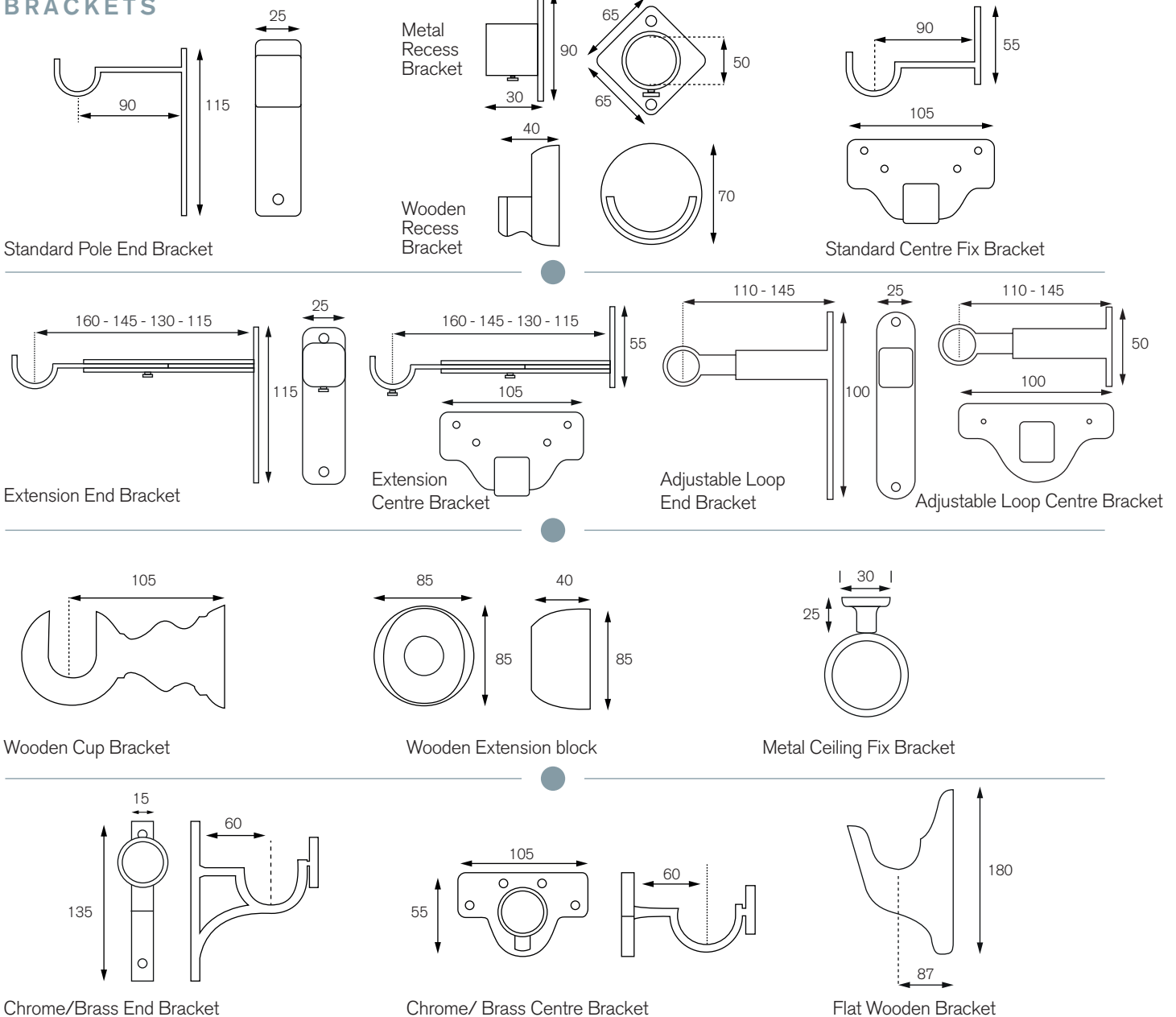
- 1.2m/47" Pole Pack (2 brackets, 2 finials, pole, 12 rings, screws)
- 1.5m/59" Pole Pack (2 brackets, 2 finials, pole, 16 rings, screws)
- 1.8m/71" Pole Pack (2 brackets, 2 finials, pole, 18 rings, screws)
- 2.4m/94" Pole Pack (2 brackets, 2 finials, pole, 24 rings, screws)
- 3.0m/118" Pole Pack (3 brackets, 2 finials, 2 poles, 30 rings, screws)
- 3.6m/142" Pole Pack (3 brackets, 2 finials, 2 poles, 36 rings, screws)
- 4.8m/189" Pole Pack (3 brackets, 2 finials, 2 poles, 48 rings, screws)



POLE PACK LENGTH



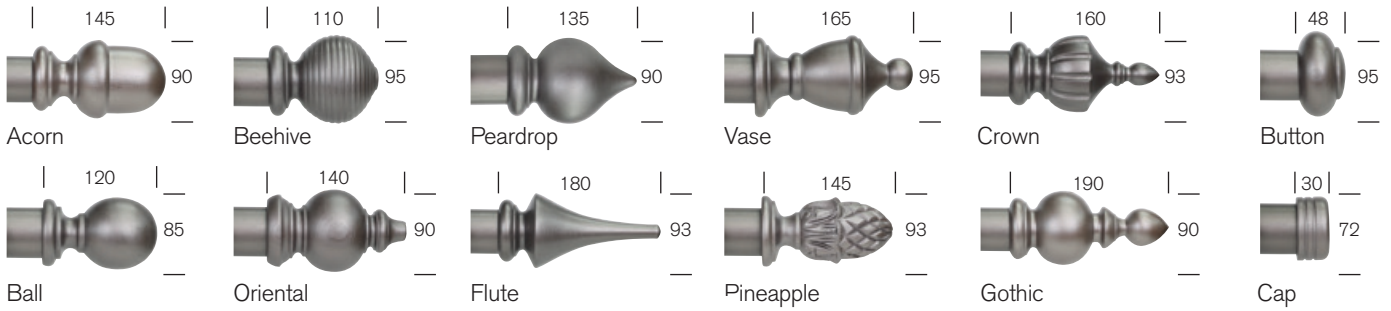
BRACKETS



63MM WOODEN POLES

All dimensions in millimetres unless otherwise stated

FINIALS

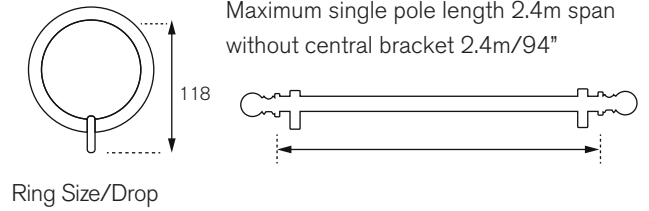


POLE PACKS

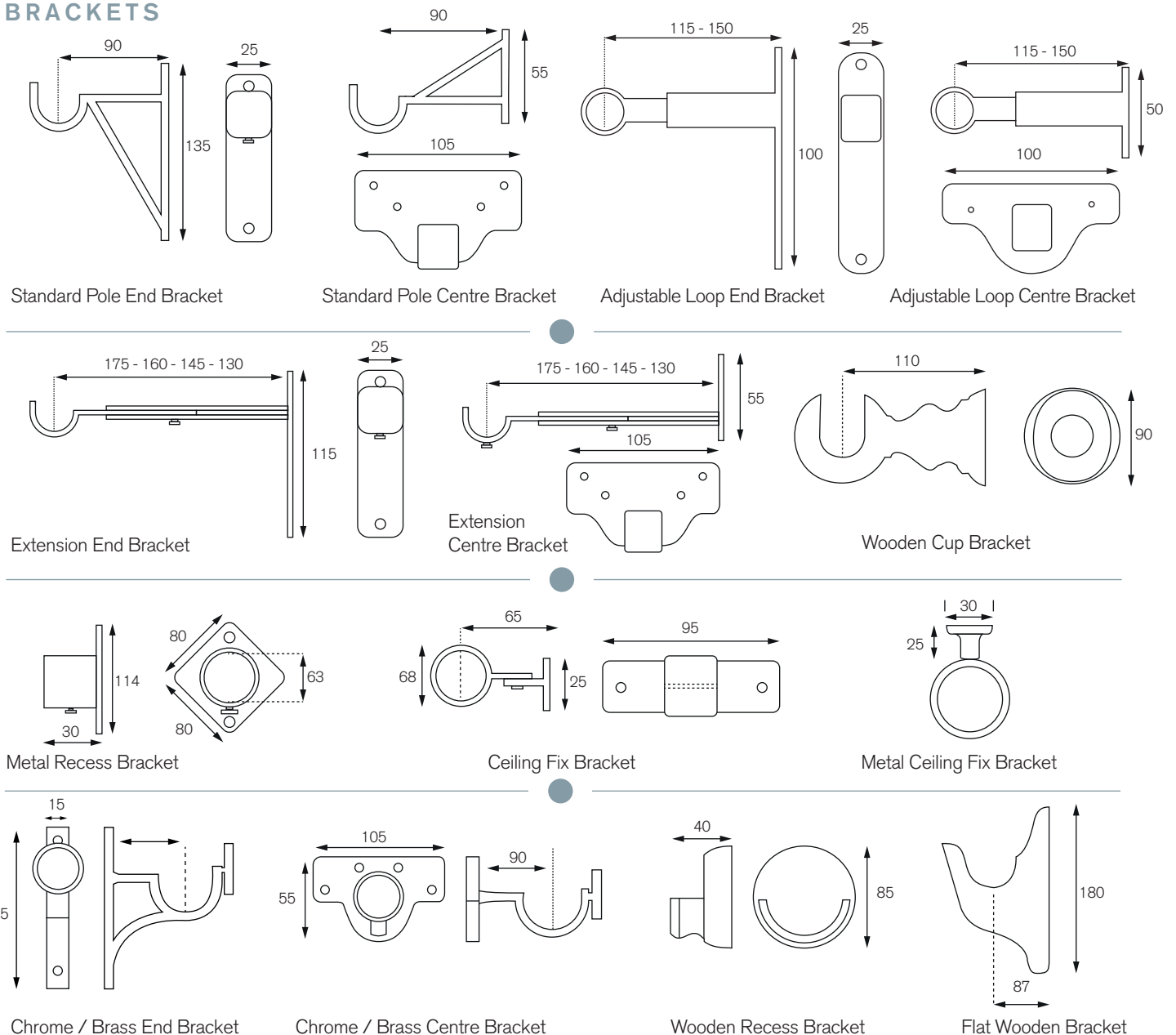
- 1.2m/47" pack (pole, 2 brackets, 2 finials, 12 rings, screws)
- 1.5m/59" pack (pole, 2 brackets, 2 finials, 16 rings, screws)
- 1.8m/71" pack (pole, 2 brackets, 2 finials, 18 rings, screws)
- 2.4m/94" pack (pole, 2 brackets, 2 finials, 24 rings, screws)
- 3.0m/118" pack (2 poles, 3 brackets, 2 finials, 30 rings, screws)
- 3.6m/142" pack (2 poles, 3 brackets, 2 finials, 36 rings, screws)
- 4.8m/189" pack (2 poles, 3 brackets, 2 finials, 48 rings, screws)

POLE PACK LENGTH

Maximum single pole length 2.4m span without central bracket 2.4m/94"



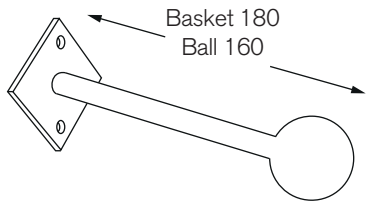
BRACKETS



ACCESORIES

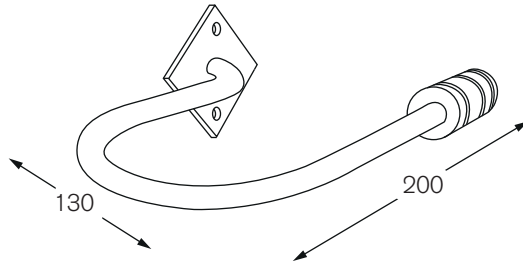
All dimensions in millimetres unless otherwise stated

HOLDBACKS

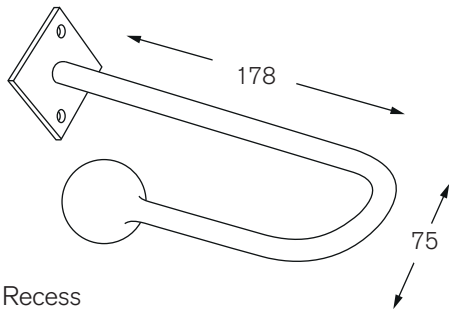


Basket 180
Ball 160

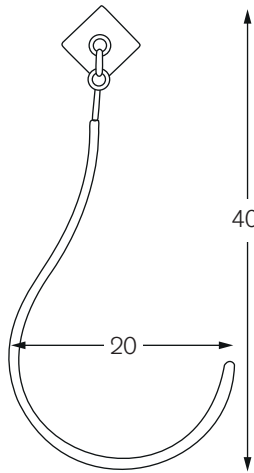
Ball and Basket Post Holdback



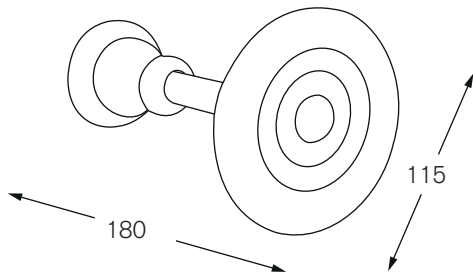
Dimensions for all Metal Holdbacks
(available with every finial except Stooper and Spear)



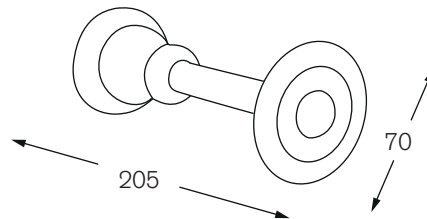
Recess
(only available with
the ball finial)



Swing Arm Holdback

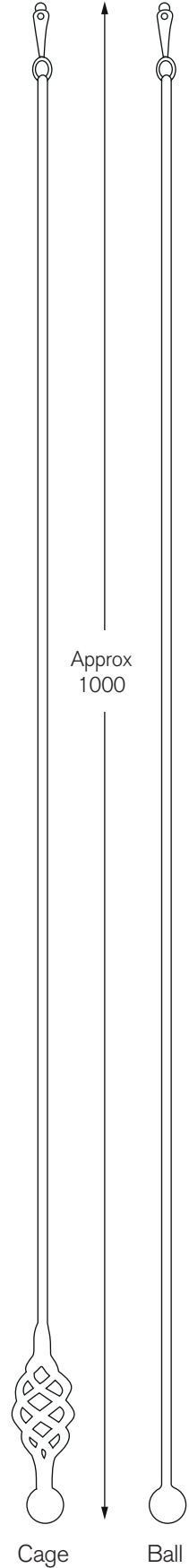


Large Wooden Holdback



Small Wooden Holdback

DRAW RODS

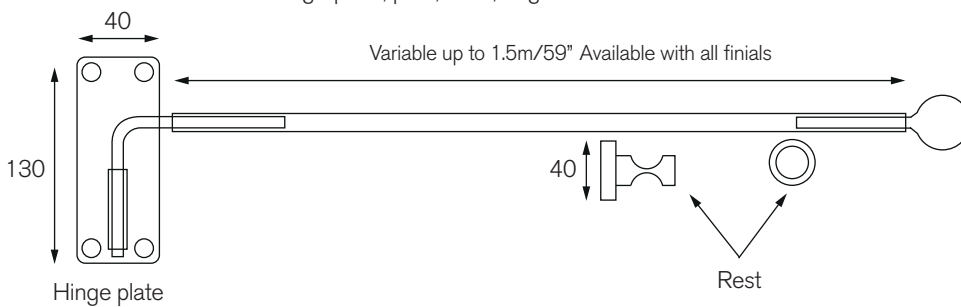


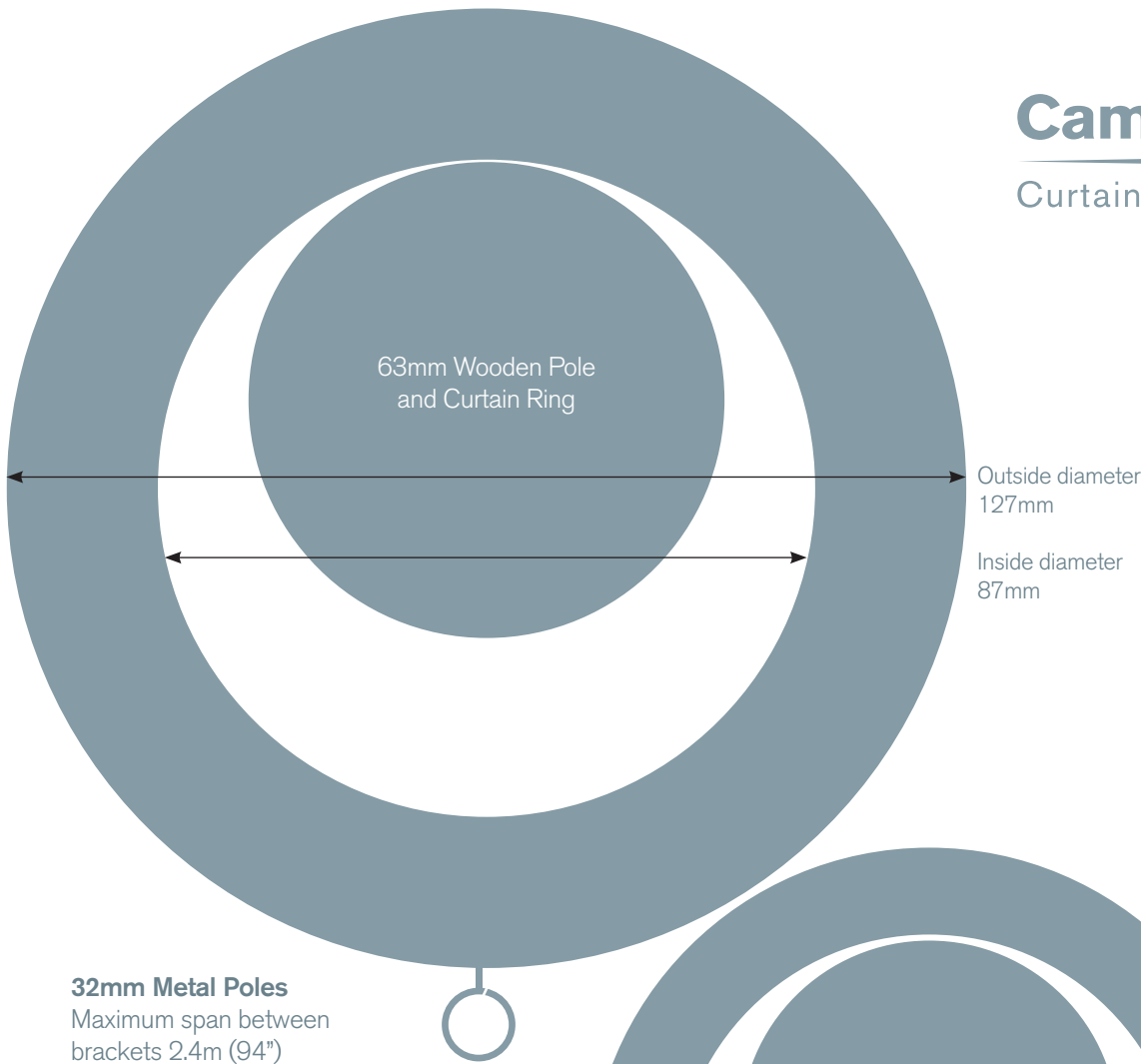
Cage

Ball

PORTIERE RODS

For use over doors and with dormer windows
Hinge plate, pole, finial, rings and 2 x rests





63mm Wooden Poles

Maximum span between brackets 2.4m (94")

Maximum Single Pole length 2.4m (94")

50mm Wooden Poles

Maximum span between brackets 2.4m (94")

Maximum Single Pole length 2.4m (94")

35mm Wooden Poles

Maximum span between brackets 1.8m (71")

Maximum Single Pole length 2.4m (94")

32mm Metal Poles

Maximum span between brackets 2.4m (94")

Maximum Single Pole length 2.4m (94")

19mm Metal Poles

Maximum span between brackets 2.0m (78")

Maximum Single Pole length 2.4m (94")

